

ASSEMBLY INSTRUCTION FOR BED FRAMES WITH UNIVERSAL BASE 6'0(SUPER KING BED)

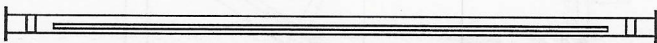
SAFETY WARNING: *Do not stand on the bedbase.*

1. Please take a short time reading through this leaflet and follow the simple step-by-step instructions.
2. When assembling your new bed please ensure that you have checked the content for all relevant parts.
3. Assemble this product on a clean flat surface to avoid any scratching.
4. When tightening bolts make sure that they are fully tightened but not forced.
5. It is advisable to use approved cleaning product when cleaning the bed frame as certain chemical based could have an adverse effect on the bed finish.
6. Keep fittings out of reach of children.
7. When moving your fully assembled bed you must first remove the mattress and lift the frame into position, take care when lifting and always have two people handling the bed. **PLEASE DO NOT DRAG THE BED** as this will damage to the central support legs and rail.
8. All Limelight beds are produced to the highest standards and are packed to avoid damage in transit, should you find that your new bed does not meet with your satisfaction please contact Limelight customer care on **01455 850150**.

**** PLEASE NOTE : GOODS THAT NEED TO BE RETURNED SHOULD BE SENT BACK IN ORIGINAL PACKAGING.**

COMPONENT PARTS

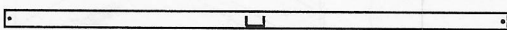
1 - Siderail x 2pcs



2 - Centre Rail x 1pc



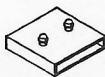
3 - Cross Bar x 2pcs



4 - Support Leg x 2pcs



5 - Centre Plastic Cap x 15pcs



6 - Sprung Slats x 30pcs

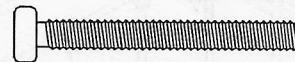


7 - Side Plastic Cap x 30pcs

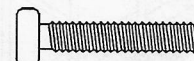


FITTINGS

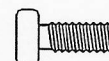
A -M6x63mm x 2pcs



B -M6x38mm x 6pcs



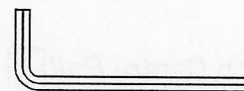
C -M8x20mm x 8pcs



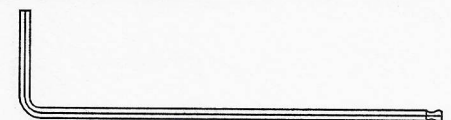
D -x 6pcs



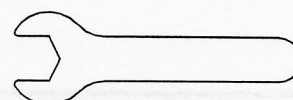
E -Allen Key(For M8 Bolts) x 1pc



F -Allen Key(For M6 Bolts) x 1pc

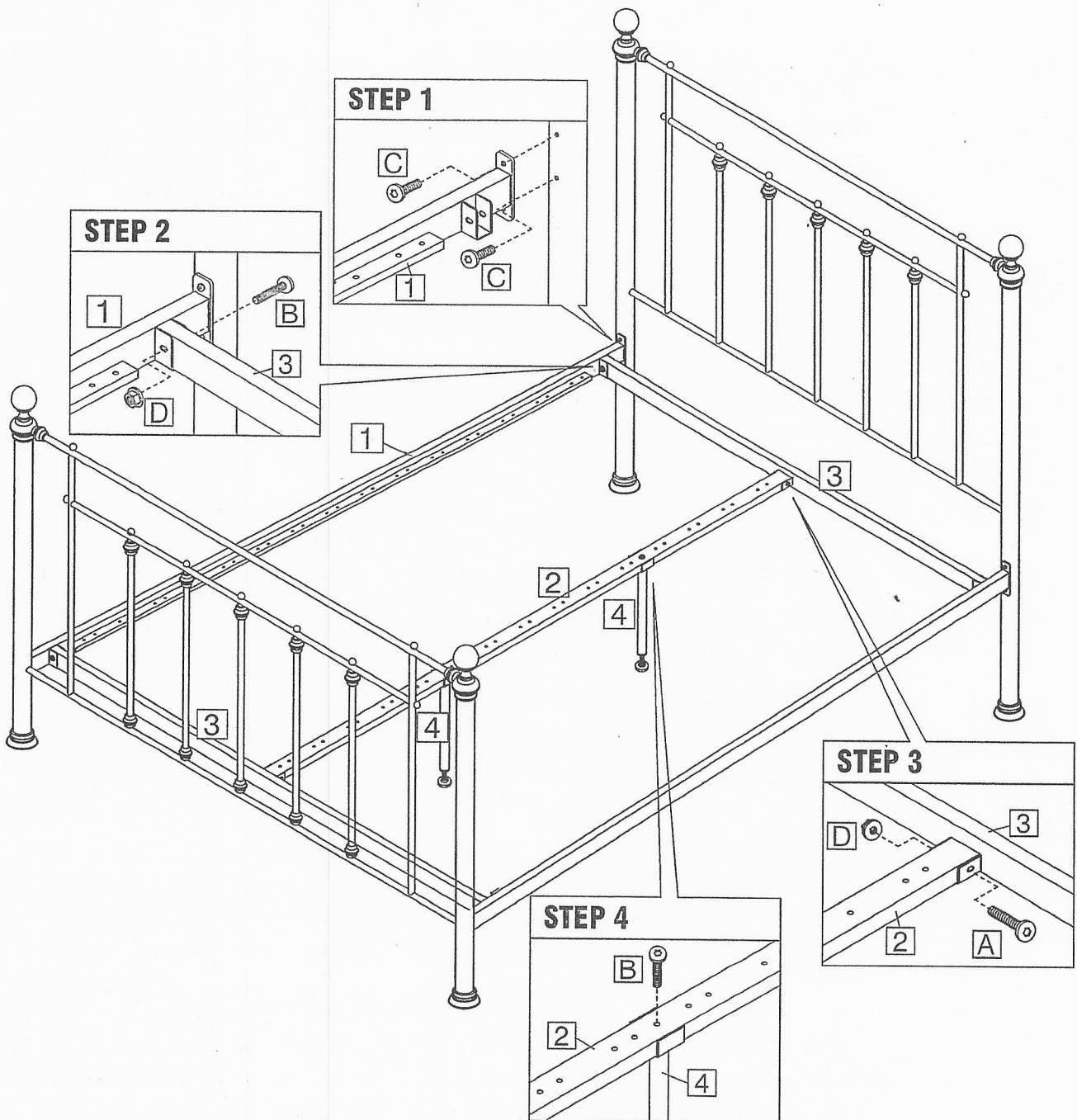


G - x 1pc



STEP 1: Attach *Siderails* **1** to *Headboard* and *Footboard*.

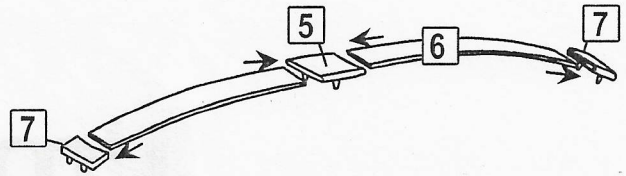
STEP 2: Attach *Cross Bars* **3** to *Siderails* **1**.



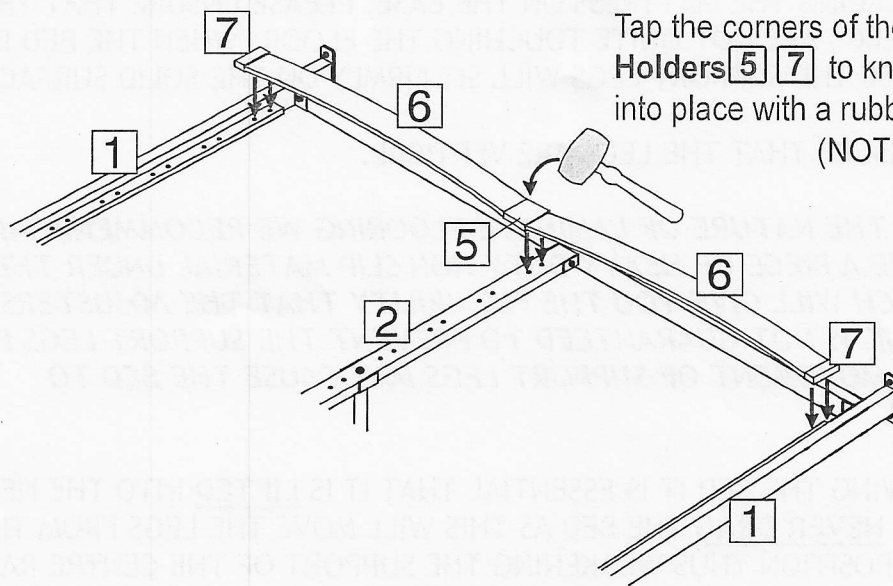
STEP 3: Attach *Centre Rail* **2** to *Cross Bars* **3**.

STEP 4: Attach *Support Legs* **4** to *Centre Rail* **2**.

STEP 5: Insert the **Support Slats** **6** into the **Plastic Holders** **5** **7** as shown.



STEP 6: Align this pins on the **Plastic Holders** **5** **7** to the holes along the **Centre Rail** **2** and the **Siderails** **1**. Gently tap them into the holes.



Tap the corners of the **Plastic Holders** **5** **7** to knock them into place with a rubber mallet. (NOT provided)

Please check and tighten all bolts. Remember to re-check and tighten screws and bolts periodically or when necessary.



BEDS WITH CENTRE LEGS

PLEASE NOTE THE RECOMMENDED PROCESS FOR ADJUSTING CENTRE LEGS WHEN ASSEMBLING YOUR BED.

BEFORE PLACING THE MATTRESS ON THE BASE, PLEASE ENSURE THAT THE SUPPORT LEGS ARE NOT QUITE TOUCHING THE FLOOR. WHEN THE BED IS THEN IN USE THE SUPPORT LEGS WILL SIT FIRMLY ON THE SOLID SURFACE.

PLEASE ENSURE THAT THE LEGS ARE VERTICAL.

*****DUE TO THE NATURE OF LAMINATE FLOORING WE RECOMMEND THAT YOU PLACE A PIECE OF HEAVY DUTY NON SLIP MATERIAL UNDER THE LEGS WHICH WILL GIVE YOU THE FLEXIBILITY THAT THE ADJUSTERS NEED. THIS IS NOT GUARANTEED TO PREVENT THE SUPPORT LEGS FROM MOVING. MOVEMENT OF SUPPORT LEGS MAY CAUSE THE BED TO COLLAPSE.***

WHEN MOVING THE BED IT IS ESSENTIAL THAT IT IS LIFTED INTO THE NEW POSITION. NEVER DRAG THE BED AS THIS WILL MOVE THE LEGS FROM THE VERTICAL POSITION THUS WEAKENING THE SUPPORT OF THE CENTRE RAIL.

PLEASE ENSURE THAT ANY ITEMS PLACED UNDER THE BED DO NOT GET PUSHED TOWARDS THE SUPPORT LEGS AS THIS MAY CAUSE THE BED TO COLLAPSE.

ADHERING TO THE RECOMMENDED PROCESS SHOULD ENSURE THAT YOUR BED GIVES YOU YEARS OF TROUBLEFREE SERVICE.

THANK YOU
LIMELIGHT BEDS LTD